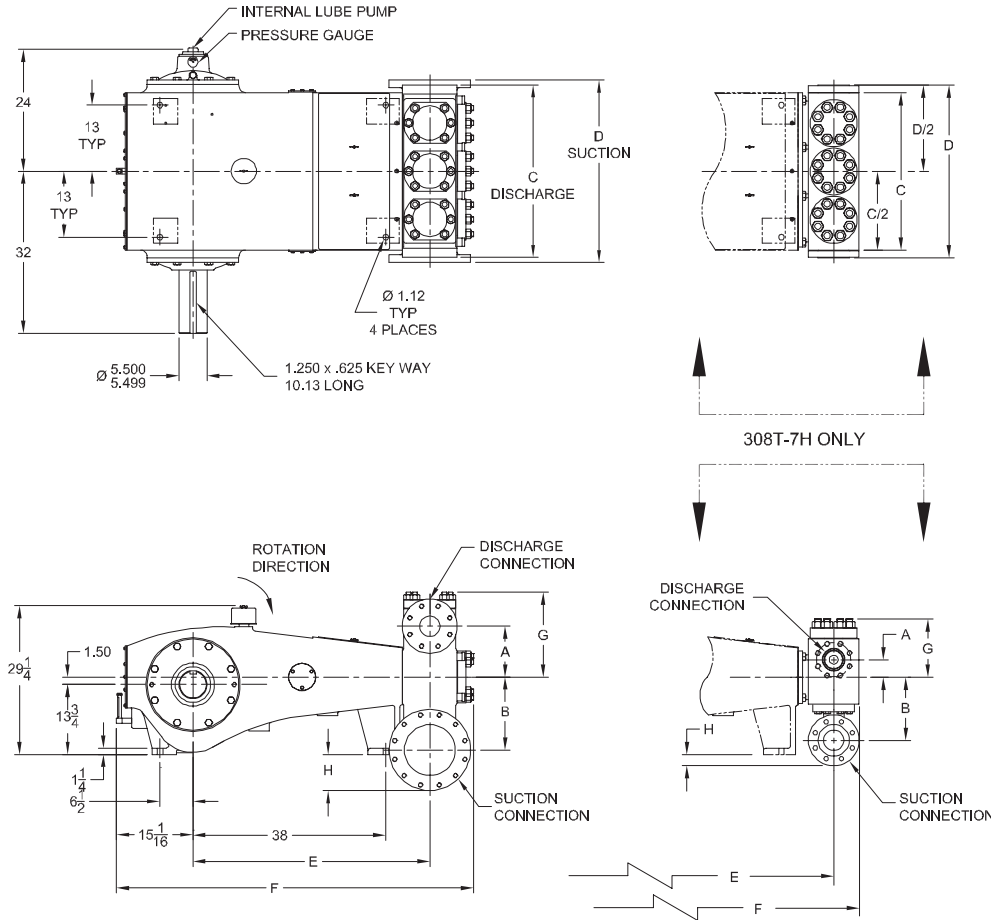


# HP360 (308T-7) Triplex Plunger Pump

## Specifications



### Pump Size:

maximum plunger size x stroke length, in.(mm)  
5.750 x 7.125 (146.05 x 180.98)

**Rated BPH (kW) at 265 RPM:** 308 (230)

**Rated plunger load, pounds (kg):** 19400(8800)

**Maximum discharge pressure:** psi (kPa)

"XL" model: 1220 (8410)

"L" model: 2169 (14952)

"M" model: 3600 (24821)

"H" model: 6170 (42542)

### Crankshaft extension:

Diameter, in.(mm): 5.500 (139.7)

Length, in.(mm): 12.125 (308.0)

Keyway width x depth, in.(mm):

1-1/4 x 5/8 (31.8 x 15.9)

Maximum recommended sheave diameter,  
in.(mm): 71 (1803.4)

For larger sizes: **Contact Factory**

**Accessory gear reduction unit:** N/A

**Oil Capacity, gallons (L)**

Crankcase: 19 (71.92)

**Weight, pump only on**

wood shipping skids, pounds (kg): 6013 (2727)

Weight varies with pump model

**Standard Materials for Fluid Ends:**

"XL" model

Cast Duplex Stainless Steel

Cast Carbon Steel

"L" model

Cast Duplex Stainless Steel

Cast Nickel-Aluminum-Bronze

Billet/Forged Carbon Steel

"M" model

Cast Duplex Stainless Steel

Cast Nickel-Aluminum-Bronze

Forged/Plate Carbon Steel

"H" model

Forged Stainless Steel

Pump Model	Flange Connections		Dimensions (Inches)							
	Discharge Connection Sizes	Suction Connection Sizes	A	B	C	D	E	F	G	H
308T-7XL	4 (101.6)-ANSI 600 FF	10 (254.0)-ANSI 150 FF	10	14 3/8	34	36	46 5/8	70 5/16	16 11/16	7 1/8
308T-7L	4 (101.6)-ANSI 900 FF	6 (152.4)-ANSI 150 FF	8 1/4	11 1/8	33	33	46 3/4	71 1/8	15 3/16	1 3/8
308T-7M	2.5 (63.5)-ANSI 1500 FF	4 (101.6)-ANSI 300 FF	6 7/8	8 3/4	33	33	46 3/4	71 1/2	13 9/16	-1 1/2
308T-7H	2 (50.8)-ANSI 2500 RTJ	4 (101.6)-ANSI 300 RF	3 7/16	12 7/16	31	34	48 5/16	68 3/8	11 7/16	2 3/16

# IEQ Industries

P.O BOX 123 \* ADA, \* MI 49301 \* USA  
PHONE 800.544.9053 \* FAX 888.796.2653 \*  
email: [info@gaso.com](mailto:info@gaso.com)  
On the Web at [www.gaso.com](http://www.gaso.com)

 **NATIONAL OILWELL VARCO**

